

WoodTrends Standard for Ceilings

WoodTrends Standard for ceilings features a genuine wood plank ceiling treatment with perforations or grooves able to achieve NRC values as high as .90. The system is built on an MDF or chipboard core and the veneer is finished with 2 coats of a UV-polyacrylate lacquer. This system can be installed by the attachment of pivot clips onto a typical 15/16" grid. WoodTrends Standard is offered in two edge details: reveal edge and flush edge. **Reveal Edge** detail leaves a 10 mm groove between planks, with wood strips provided to conceal the pivot clip. **Flush Edge** detail features edges that butt together, so no wood strip is needed. A 2 mm bevel defines the seam between the planks. Available in twenty-four standard and forty custom veneers.



- ◆ Class A fire-rated composites available
- ◆ NRC values as high as .90
- ◆ MDF, Chipboard, or plywood substrates
- ◆ Flush or Reveal Edge detail available
- ◆ Standard plank sizes 4.9", 8.1", 9.8" x 97.5"
Custom sizes available



WoodTrends Standard for Ceilings

Acoustical:

SOUND ABSORPTION DATA							
Frequencies (Hz)							
Perforation % of openings	125	250	500	1000	2000	4000	NRC
7.2% open	0.29	0.58	0.55	0.51	0.48	0.53	.55
18% open	0.13	0.34	1.15	1.08	0.55	0.53	.80
24% open	0.27	0.81	0.78	0.95	0.96	0.93	.90

*Acoustics is determined based upon % of opening in face of wood. Consult factory for available patterns.

Specification:

Part I General

- 1.1 Scope - The work consists of furnishing all material, labor and accessories necessary to install WoodTrends Acoustical Wood Systems specified herein.
- 1.2 Delivery and Storage - All material shall be delivered in their original unopened cartons and stored in an enclosed area providing protection from damage and exposure to the elements. Prior to installation, panels shall be acclimated for 72 hours at the temperature and humidity conditions during installation and occupancy.

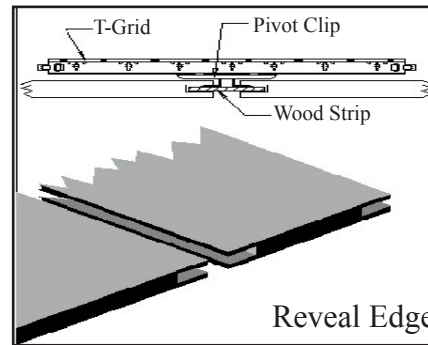
Part II Material

- 2.1 Material
- 2.2 WoodTrends Acoustical Wood Systems as manufactured by Sound Seal, P.O. Box 545, Agawam, MA 01001. Phone: 800-569-1294 Fax: 413-789-4444
- 2.3 Panels shall be WoodTrends Standard for ceilings and be 13 mm thick MDF with blind veneer backer, standard planks of (125,205,250 mm) wide by 2420 mm long
- 2.4 WoodTrends Standard Panels shall be available in first quality select veneer from standard selection of 24 wood species plus 40 additional species available with special staining and lacquering to match architects samples.
- 2.5 WoodTrends Standard panels shall be constructed using fire rated components meeting or exceeding the requirements of the ASTM E-84 Class _____ (A,B,C) Flame Spread: (A) 25 or less, (B) 26 to 75, (C) 76-200 Smoke Developed: 450 or less.
- 2.6 WoodTrends Standard panels shall have an NRC rating of _____ with perforation pattern # _____ and an open area of _____%.
- 2.7 WoodTrends Standard panels shall be installed by means of pivot clips on intermediate duty 15/16" T-grid.

Part III Execution

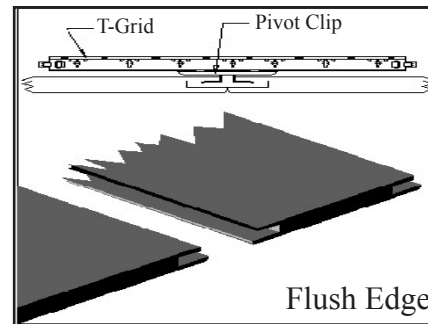
- 3.1 Installation
- 3.2 WoodTrends Standard Panels shall be installed as shown on interior elevation drawings and indicated on room finish schedule.
- 3.3 Panel installation shall not begin until all wet work is completed and panels have allowed to acclimate for 72 hours. The installation contractor shall have at least five years of experience in this class of work. All panels shall be properly installed and free from dirt, dust, grease, oils and fingerprints by wiping clean the surface with furniture polish.

Mounting Detail:



REVEAL EDGE

- ◆ Uses real wood strip to hide nailclip
- ◆ All four edges finished
- ◆ 10 mm groove between planks
- ◆ Standard size planks 4.9", 8.1", 9.8" x 97.5"
- ◆ Custom sizes available



FLUSH EDGE

- ◆ No wood strip between planks is required
- ◆ No need for finished edges
- ◆ 2 mm bevel defines seam between planks
- ◆ Standard size planks 4.9", 8.1", 9.8" x 97.5"
- ◆ Custom sizes available

Veneer Selection

Afzelia	Conga Walnut
African Oak	Elm
American Oak	European Oak
Anigre	Koto
Ash	Khaya Mahogany
Beech Steamed	Maple
Beech Unsteamed	Oregon Pine
Birds-Eye Maple	Padouk
Black Walnut	Pear
Carolina Pine	Rosewood
Cedar	Sapeli Mahogany
Cherry	Teak



SOUND SEAL®

50 H.P. Almgren Drive
 Agawam, MA 01001
 TEL: 413.789.1770
 FAX: 413.789.4444
 e-mail: archsales@soundseal.com
 www.soundseal.com