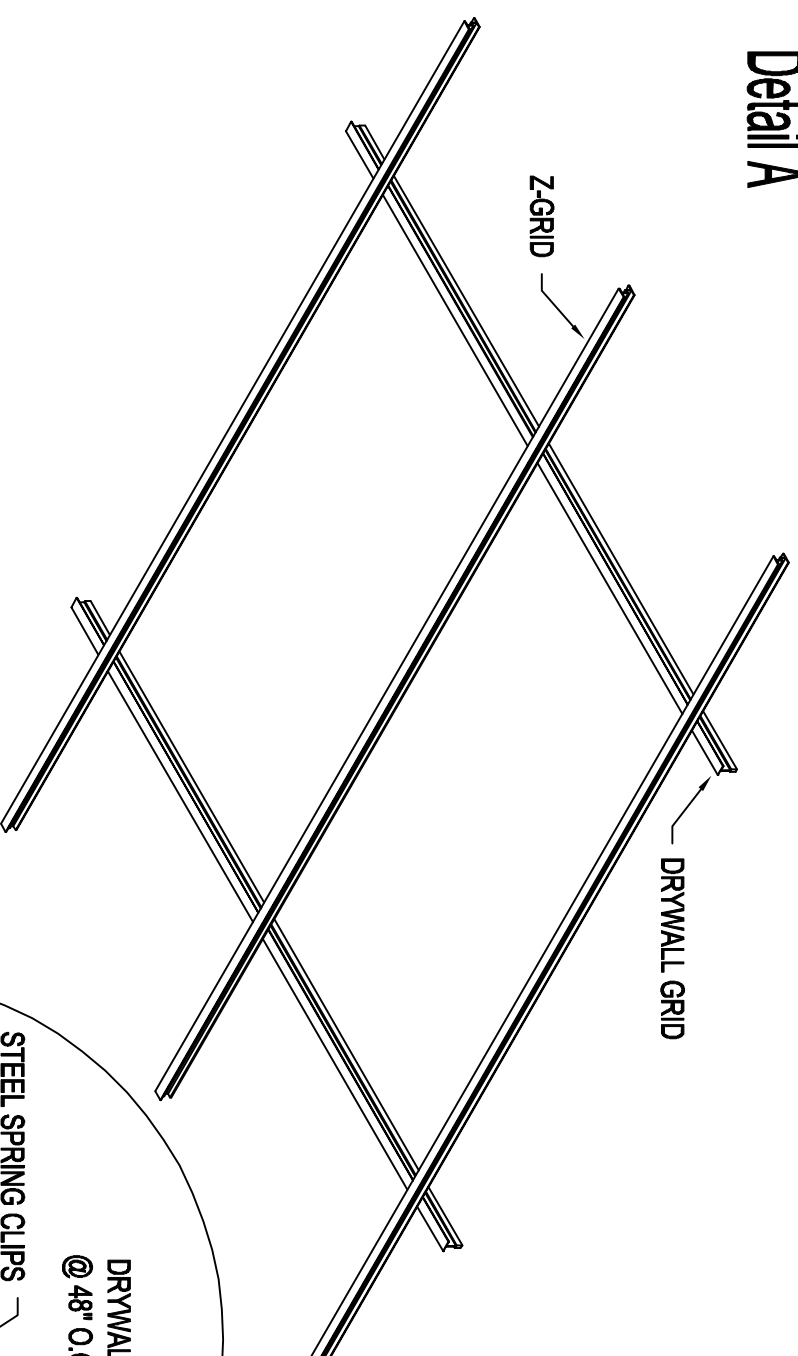


WoodTrends Select Installation Guidelines

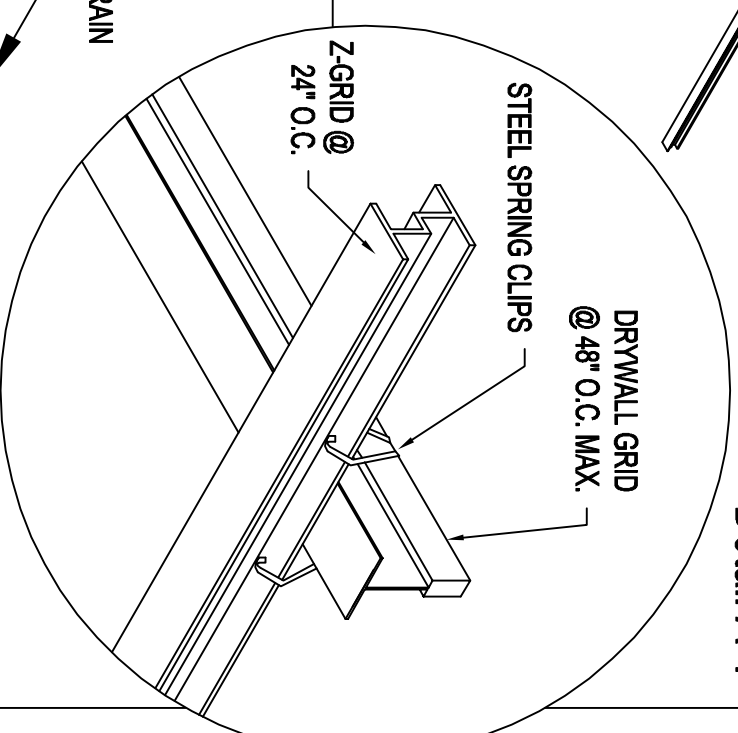
STOP PLEASE READ THIS FIRST

- 1) Determine the desired direction of the grain of the panels and the panels' layout. Z-grid always follows the grain and the drywall grid runs perpendicular to the z-grid (see detail A).
- 2) Install drywall grid (supplied by others) using 12ga. wire or as per architect's specifications.
- 3) Once channel is secured, start installing the z-grid (remember, the z-grid is always installed perpendicular to the channel). Attach z-grid to the drywall grid using steel spring clips (supplied by others), 2 clips per intersection, installed in an X pattern (see detail A-1). Repeat this step until all z-grid is installed as required by ceiling layout.
- 4) Panels are installed from the centerline of the room outward to the edges of room. Normally a test row is required, although it can be figured on paper. Install the panels so that the outside panels are no less than a 1/2 of a panel width. Some figuring will be required to comply with this.
- 5) Border panels, which will be cut perpendicular to grain direction, should be installed next. Also cut these approximately 1/4" small to allow for installation of spring clips (see details C & C-1).
- 6) Proceed to install remaining panels by first positioning the panel above grid, then insert the kerfed side of the panel into the z-bar and lower rabbeted edge to rest on opposite z-bar (see details D & D-1). Field cut panels as necessary for lights, sprinklers, etc. Standard tools can be used for all cuts but be sure to use sharp blades. Table saws will require a blade with 60 teeth or better with a thin kerf.

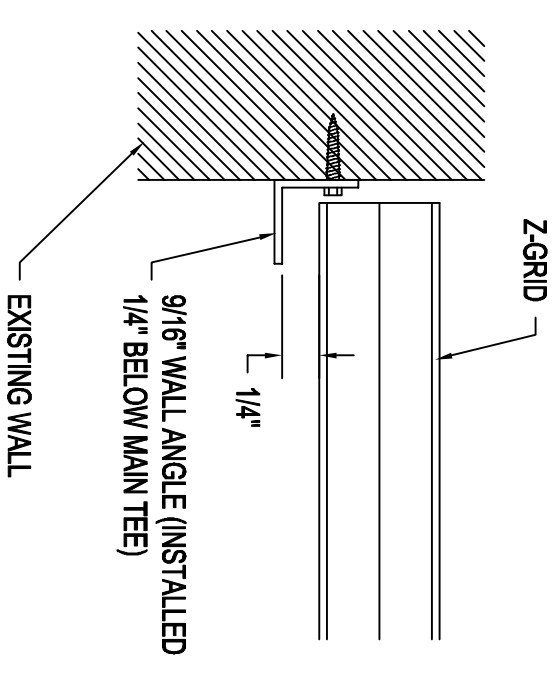
Detail A



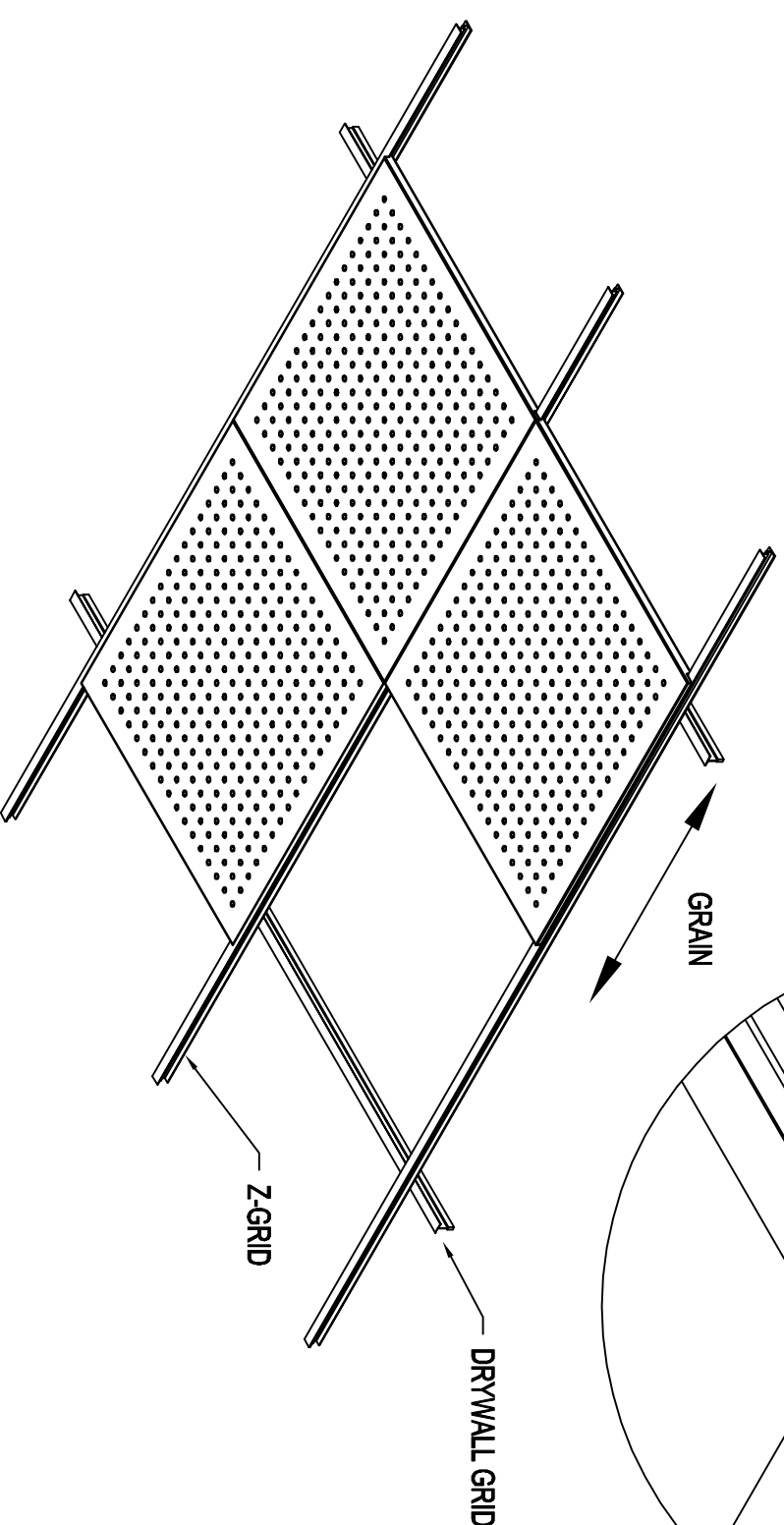
Detail A-1



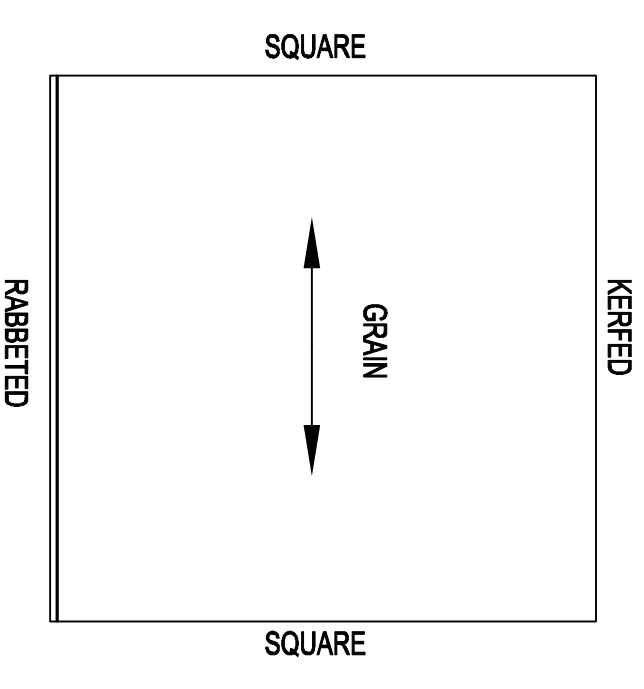
Detail A-2



Detail B



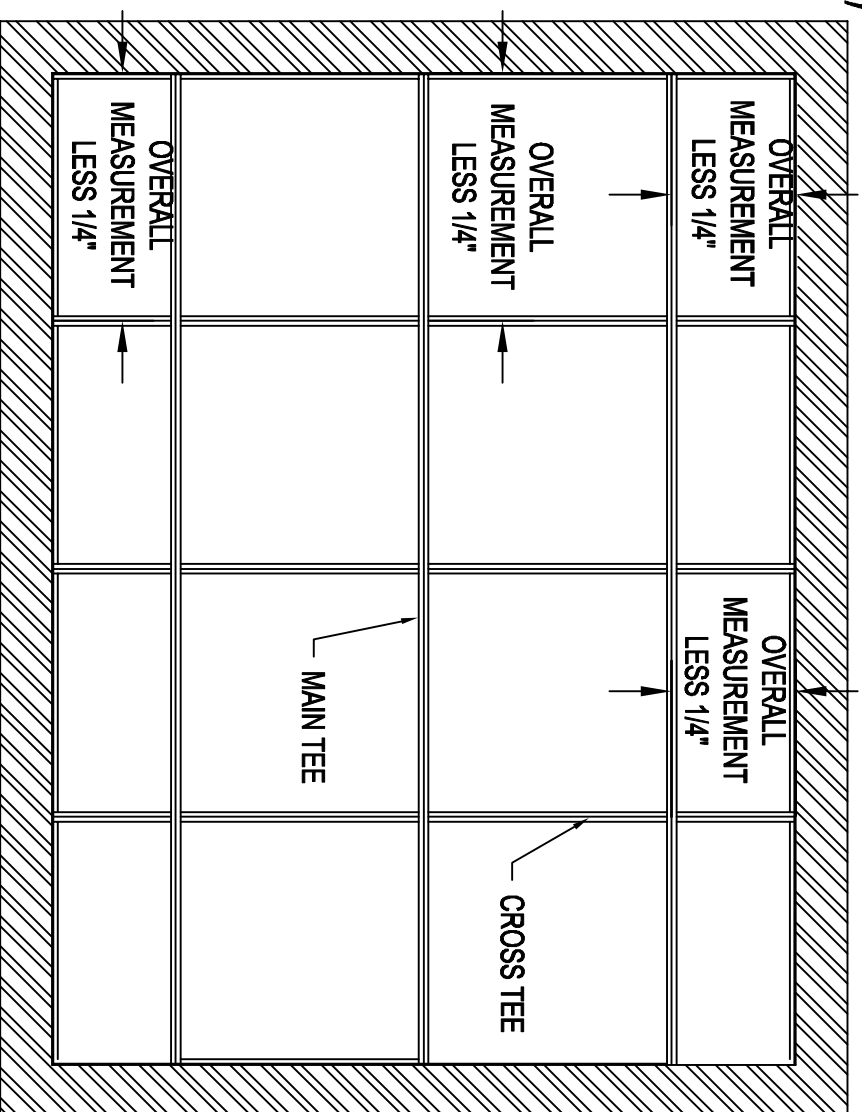
Detail B-1



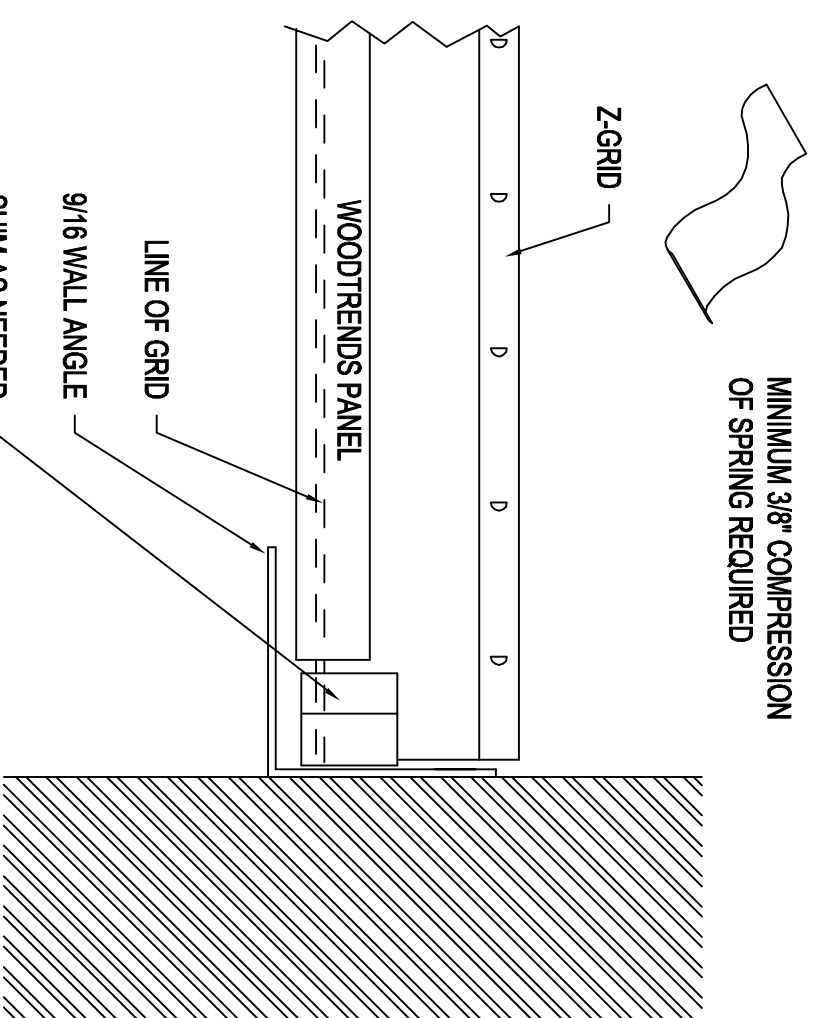
SOUND SEAL™

50 H.P. ALMGREN DRIVE
P.O. BOX 545
AGAWAM, MA 01001

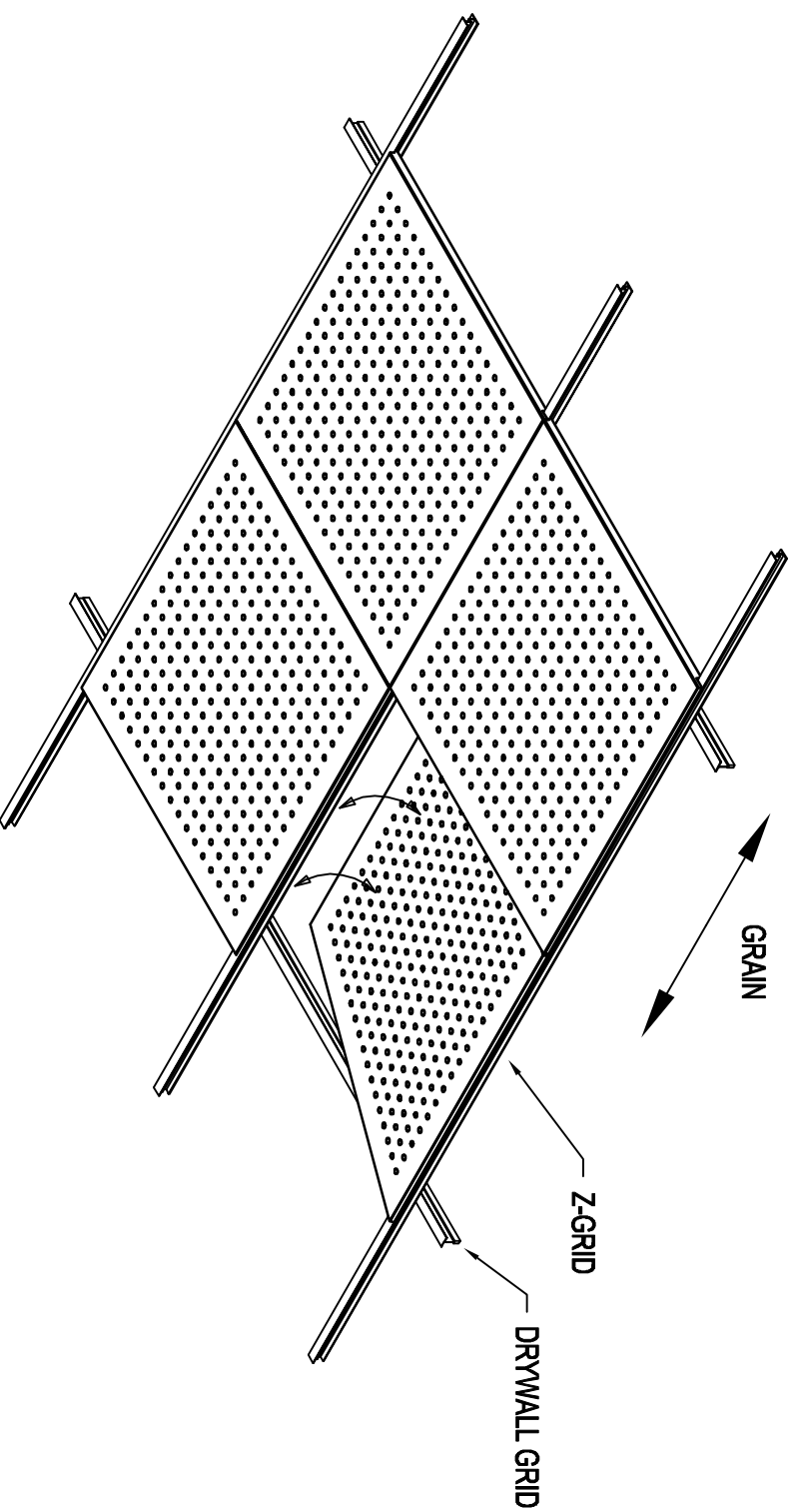
Detail C (RCP)



Detail C-1



Detail D



Detail D-1

